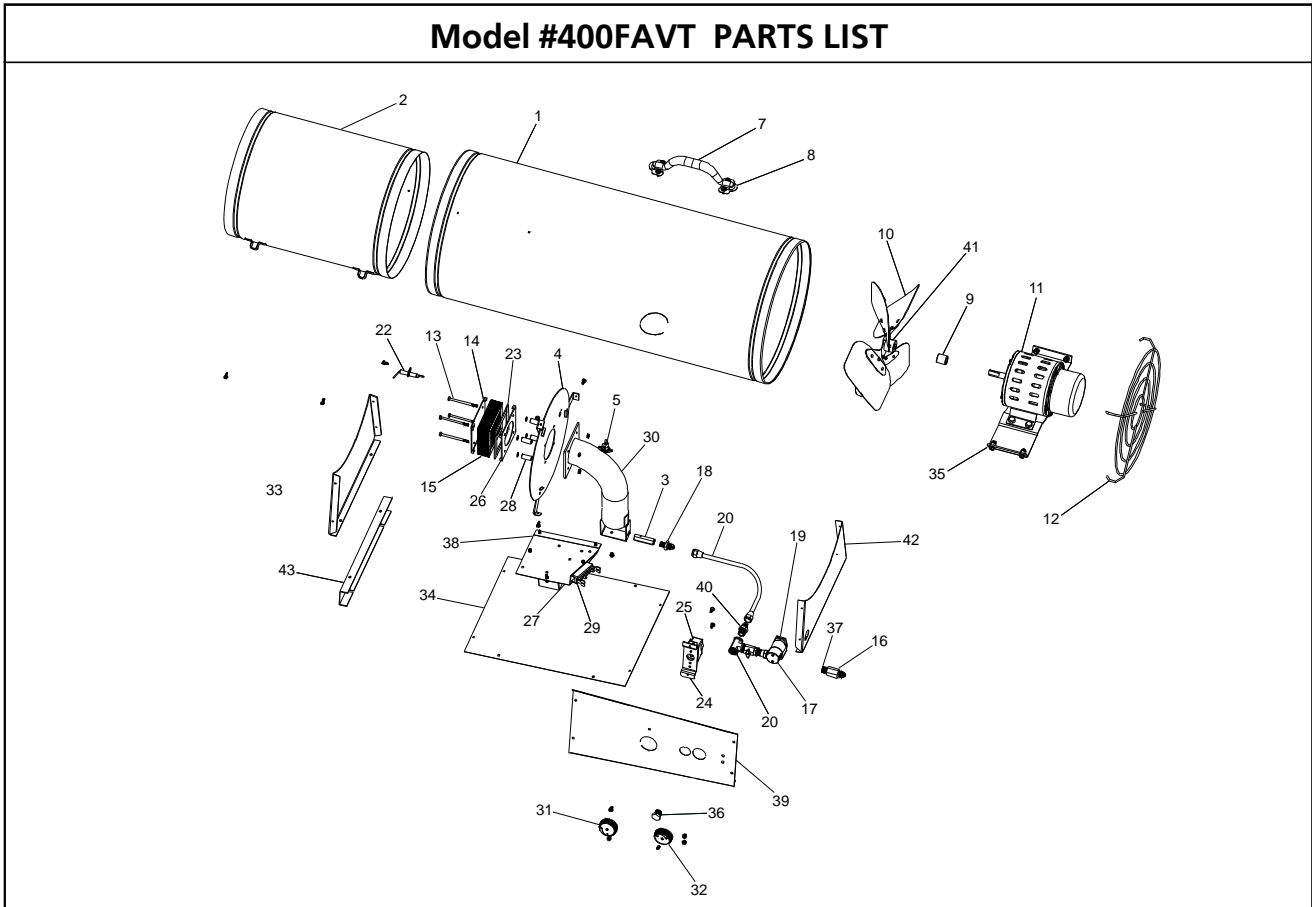


**Model #400FAVT PARTS LIST**



Item	Part No.	Description	Qty.	Item	Part No.	Description	Qty.
1	20100	Outer Shell	1	33	20158	Control Box, Exit Panel	1
2	20102	Middle Cylinder	1	34	20160	Control Box, Base Panel	1
3	20104	Orifice (2.35 mm port)	1	35	20162	Motor Mounting	1
4	20106	Flame Holder Assembly	1	36	20164	Fitting, Plug 1/4 MPT	1
5	26168	High Limit Switch	1	37	20166	Inlet Filter Screen	1
6	20108	Orifice Screw, Type F	1	38	20168	Control Mounting Bracket	1
7	27095	Handle	1	39	20170	Control Box, CRTL Panel	1
8	27094	Handle Mounting Clips	2	40	20172	Male Fitting Conn. 1/4 MPT x 1/4 SAE FLR	1
9	20110	Fan Spacer, Nylon	2	41	20174	Set Screw, Nyloc	2
10	20112	Fan	1	42	20176	Control Box, Inlet Panel	1
11	20114	Motor Assembly	1	*	26225	Snap Bushing, 5/8	1
12	20116	Grille, Inlet	1	*	20178	Control Box, Right Panel	1
13	20118	Machine Screw, Burner SS	4	*	26223	Bushing Strain Relief	1
14	20120	Burner, Outer Plate	1	*	21036	Power Cord Assembly	1
15	20122	Burner, Ceramic Grids	4	*	26070	Loop Clamp, 5/16	1
16	20124	Male Fitting Conn. 1/4 MPT x 1/4 SAE FLR	1	*	21008	Hose Assembly	1
17	20126	Solenoid Valve, Goyen	1	*	20180	Regulator, 20 psig	1
18	20128	Male Fitting Conn. 1/8 MPT x 1/4 SAE FLR, LG.	1	43	20184	Bracket, lift	1
19	20130	Burn Rate Adjustment Valve	1	*	26433	POL Excess Flow Valve	1
20	20132	Fitting, TEE 1/4 NPT, Female	1	*	72427	Label, Safety Precautions	1
21	20134	Fuel Tube Assembly	1	*	28755	Label, General Hazard Warning	1
22	20136	Electrode, Flame Sensor	1	*	72429	Label, Model	1
23	20138	Burner, Fiber-Frax Gasket	1	*	28731	Label, Operating Instructions	1
24	20140	Thermostat Mounting Bracket	1	*	26410	Label, Thermostat Warning	1
25	20142	Thermostat Assembly	1	*	72432	Label, Warning Massachusetts	1
26	20144	Burner, Inner Plate	1	*	26374	Label, Warning Electrical	1
27	20146	Flame Control, Potted	1	*	72434	Label, Wiring Schematic	1
28	20148	Burner, SS Spacer	4	*	72435	Label, Hang Tag	1
29	20150	Terminal Board	1	*	72436	Label, BTU 400,000	1
30	20152	Burner, Mixing Tube	1	*	72426	Manual, Operating Instructions	1
31	20154	Knob, Thermostat	1				
32	20156	Knob, Burn Rate Adjustment	1				



## HOW MUCH HEAT DO I REQUIRE?

For economy, it is important to match input heat to that required. But heat requirements often vary. For example, it usually takes a lot more heat to get things warm than it does to keep them that way. Likewise, outside air temperature usually changes during the day so you may need more heat at night than you do in the daytime. An approximation of the heat required can be found by using the chart below.

BTU'S PER HOUR REQUIRED				
Cubic feet of space to be heated	Temperature Rise Required (°F)*			
	20°	30°	40°	50°
5,000	14,000	20,000	27,999	34,000
7,000	19,000	28,000	38,000	47,000
10,000	27,000	40,000	54,000	67,000
15,000	40,000	60,000	80,000	100,000
20,000	54,000	80,000	107,000	133,000
30,000	80,000	120,000	160,000	200,000
50,000	133,000	200,000	266,000	333,000

**WARNING:** When using a thermostat controlled heater, its exit area should be protected from personnel and warnings posted of sudden startup.

## Recommended Minimum Gauge for Cord Extensions

Wire Gauge Chart A.W.G.				
Name Plate 120V Amps.	Cord Length in Feet			
	25	50	100	150
5-6	18	16	14	12
6-8	18	16	12	10
8-12	18	14	12	10
10-12	16	14	10	8
12-14	16	12	10	8

## 400FAVT - WIRING CHART

PART NO.	COLOR	LENGTH	FROM	TO
1100	White	7"	Valve	Terminal connection
1040	Black	6"	On/Off Switch	Terminal connection
1226	Red-(Hi-Temp)	16 1/2"	High Limit Switch	Valve
1226	Red-(Hi-Temp)	16 1/2"	High Limit Switch	Terminal connection
1070	Orange	11"	Flame Control (Ignition)	Spark Plug
1959	Green	7"	Flame Control (Harness)	Ground
1959	Red	7"	Flame Control (Harness)	Terminal connection
1959	White	6"	Flame Control (Harness)	Terminal connection
1959	Black	6"	Flame Control (Harness)	Terminal connection

## Model #400FAVT WIRING DIAGRAM

### COLOR CODE / LEGEND

- B BLACK
- L BLUE
- G GREEN
- O ORANGE
- R RED
- W WHITE
- T\_ TERMINAL CONNECTION

If any original wiring as supplied by the heater must be replaced, it must be replaced with type AWG 105° C wire or its equivalent except as indicated (\*type SF2-200, \*\*SGI 250° C).

